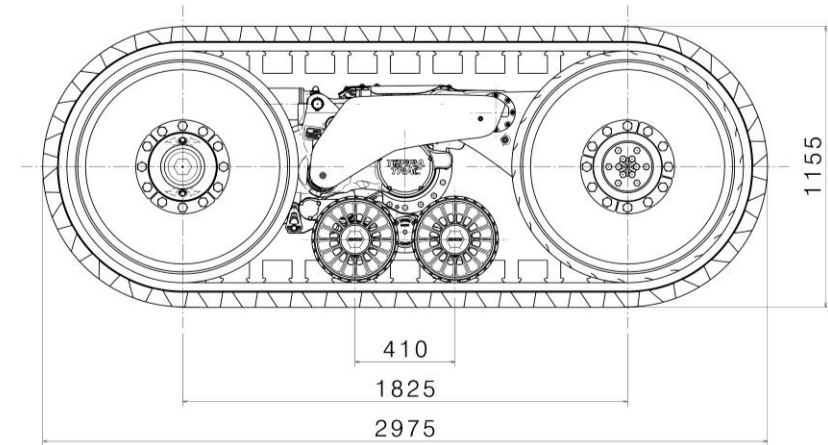


TERRA TRAC 600 – for forage harvester



Unique. With hydropneumatic suspension.

The integrated TERRA TRAC 600 suspension on all axles of the undercarriage ensures maximum ride comfort and outstanding driving safety. Ground pressure is evenly distributed even when driving over bumps. Hydraulic reduction of the ground contact area is possible. Power is transmitted by friction to the treadmill, which is tensioned with particularly high force and can be designed for different applications. The drive is provided by a cardan shaft. Since 2010, CLAAS Industrietechnik has extensive series experience in field use of a wide variety of applications and offer the TERRA TRAC 600 in different equipment variants.

Permissible machine parameters

Possible driving speed	40 km/h
Max. Axle load in the field	30 t per pair of caterpillars
Traction	12 t per pair of caterpillars

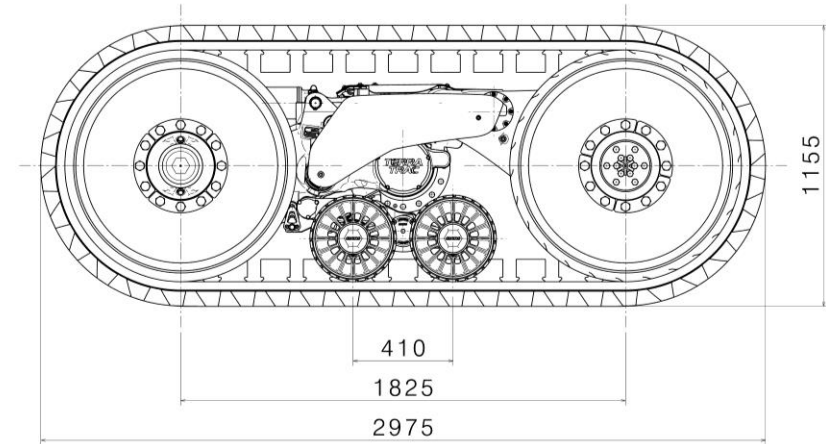
Variants

Treadmill width	635; 735 or 890 mm
Treadmill design	Optimized depending on the application
Wheel design	Sheet metal or cast wheels of different widths

Structure

Gear ratio	$i = 7,077$
Drive line	Cardan shaft
Hydropneumatic suspension	<ul style="list-style-type: none"> + Integrated hydraulic cylinders for suspension of all axles .+ undercarriage kinematics adapts to the ground contour <li style="padding-left: 100px;">+ Hydraulically adjustable travel height + Grass mode to protect the ground when cornering in the field
Characteristics	<ul style="list-style-type: none"> + Large idler wheels <li style="padding-left: 100px;">+ Support wheel pendulum with aluminum wheel <li style="padding-left: 100px;">+ Belt tension monitoring+ Pendulum stop

TERRA TRAC 600 – for combine harvester



Unique. With hydropneumatic suspension.

The integrated TERRA TRAC 600 suspension on all axles of the undercarriage ensures maximum ride comfort and outstanding driving safety. The ground pressure is evenly distributed even when driving over uneven surfaces. Power is transmitted by friction to the treadmill, which is tensioned with particularly high force and can be designed for different applications. The drive is provided by a cardan shaft. Since 2010, CLAAS Industrietechnik has had extensive series experience in the field use of a wide variety of applications and offer the TERRA TRAC 600 in different equipment variants.

Permissible machine parameters

Possible driving speed	40 km/h
Max. Axle load in the field	30 t per pair of caterpillars
Traction	12 t per pair of caterpillars

Variants

Treadmill width	635; 735 or 890 mm
Treadmill design	Optimized depending on the application
Wheel design	Sheet metal or cast wheels of different widths

Structure

Gear ratio	$i = 7,077$
Drive line	Cardan shaft
Hydropneumatic suspension	<ul style="list-style-type: none"> + Integrated hydraulic cylinders for suspension of all axles + Crawler kinematics adapts to the ground contour + Hydraulically adjustable ride height
Characteristics	<ul style="list-style-type: none"> + Large idler wheels + Support wheel pendulum with aluminum wheel + Belt tension monitoring