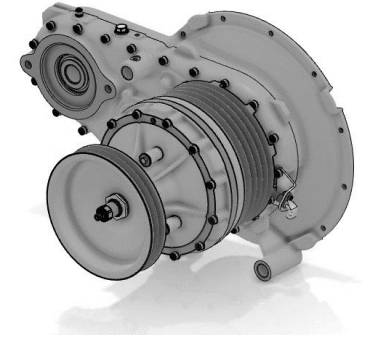
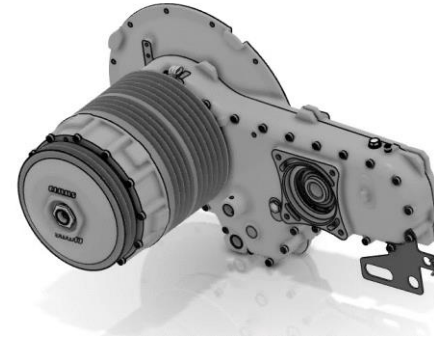
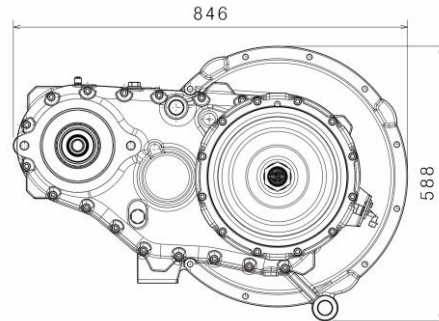
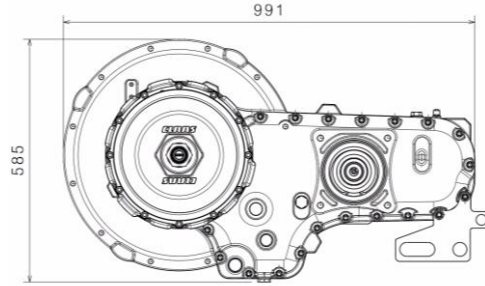


Transfer case for self-propelled harvesters

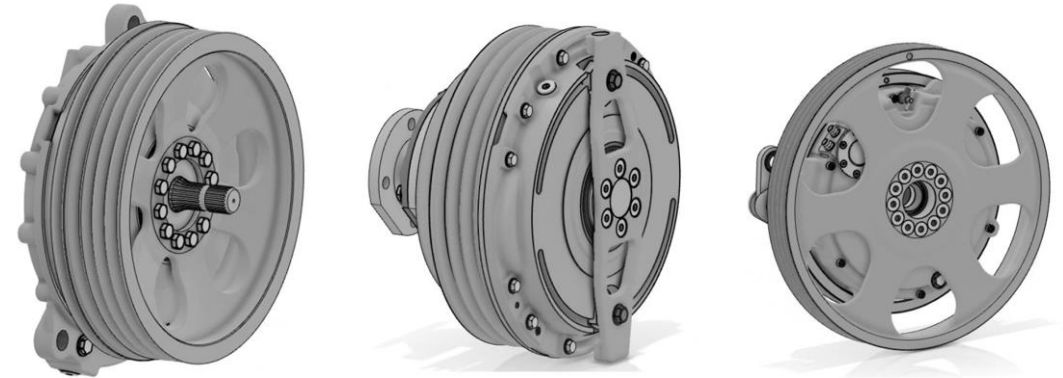
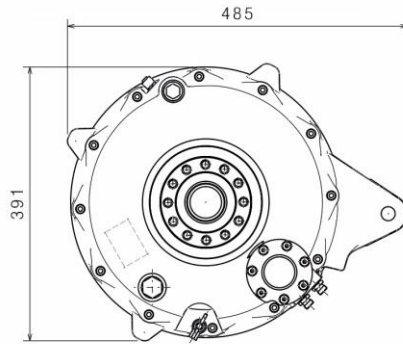


Transfer case for powerful harvesters

All LEXION, TRION and JAGUAR models are equipped with a transfer case for power distribution to various pump outputs and process technology outputs. A wide-ranging modular system enables individual use in the various machine types. Different coupling and pump drive concepts are available for efficient and cost-optimized use.

	Rated power at drive (kW/PS)	Output power of the pumps (kW/PS)	Rated torque at drive (Nm)
LEXION	570/780	410/560	3400
TRION	380/520	380/520	2300
JAGUAR	680/925	360/490	4400

Planetary and reduction gearboxes for self-propelled harvesters



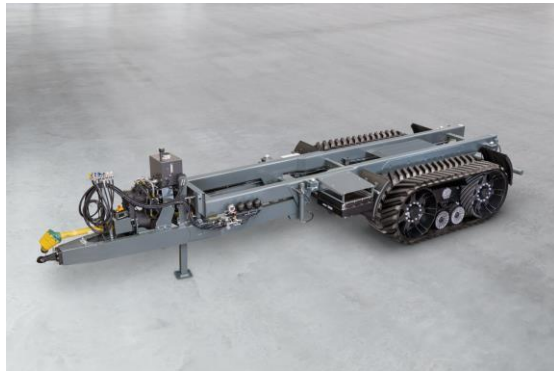
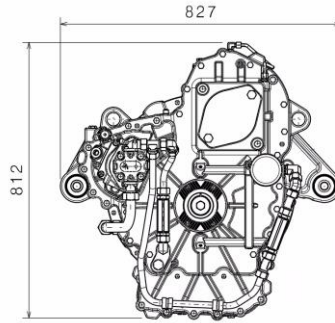
Planetary and reduction gears for powerful harvesters. The current TRION and existing LEXION models are equipped with a planetary gearbox for varying the threshing drum speed. This enables the farmer to optimally adapt the machine to different types of crops in the harvest.



Different switching concepts are available. A choice can be made between convenient hydraulic actuation and cost-effective mechanical actuation. The adaptation of individual V-belt pulleys to the input and output is possible..

	Rated power at drive (kW/PS)	Output power of the pumps (kW/PS)	Switch positions / Translations
LEXION	200/280	1600	i=1/i=2,85
TRION	200/280	1600	i=1/i=2,38

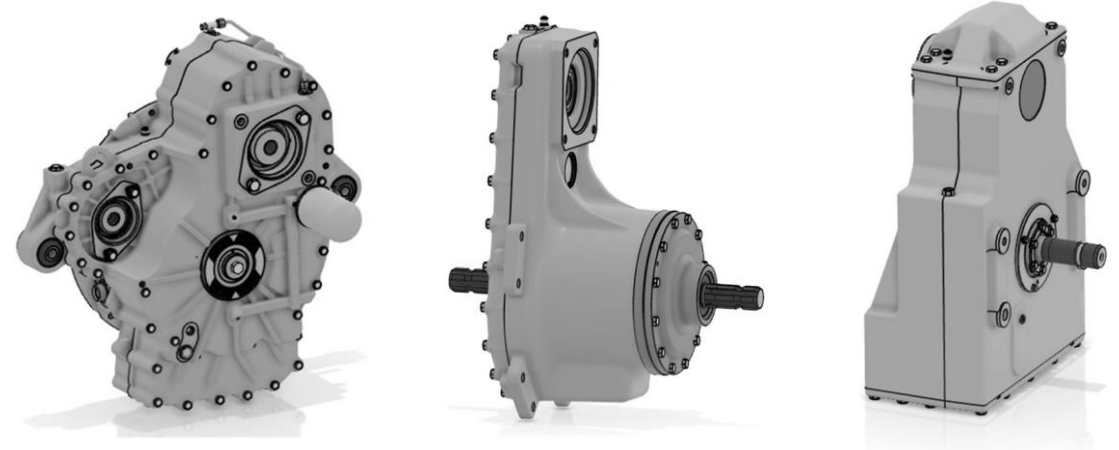
Transmission gears for system tractors and implements



Transfer gearbox for system tractors and implements.

The XERION system tractor is equipped with a transfer case for power distribution to different pump outputs. A modular system allows specialization to meet different customer requirements for hydraulic power. Furthermore, the XERION can be equipped with a rear PTO transmission.

For attachments with the TERRA TRAC ACTIVE DRIVE system, for example, a transmission is available for driving a hydraulic pump as well as with a switchable PTO shaft through-drive.



	Rated power at drive (kW/PS)	Output power of the pumps (kW/PS)	Rated torque at drive (Nm)
XERION 12	525/715	225/305	3500
TERRA TRAC ACTIVE DRIVE	280/380	130/180	2000
XERION	420/570	-	2000